

## 1.2MHZ, 26V Step-up DC/DC Converter

### GENERAL DESCRIPTION

The XR2201 is a high frequency, high efficiency DC to DC converter with an integrated 2.0A, 0.1Ω power switch capable of providing an output voltage up to 26V. The fixed 1.2Mhz allows the use of small external inductions and capacitors and provides fast transient response. It integrates Soft start, Comp., only need few components outside.

### FEATURES

- 2.3V to 6V input voltage Rangel
- 26V Boost converter with 2.8A switch current
- 1.2Mhz fixed Switching Frequency
- Integrated soft-start
- Thermal Shutdown
- Undervoltage Lockout
- ESD 8KV Pass( HBM )
- 8-Pin Msop Package

### APPLICATIONS

- Handheld Devices
- GPS Receiver
- Digital Still Camera
- Portable Applications
- DSL Modem
- PCMCIA Card
- TFT LCD Bias Supply

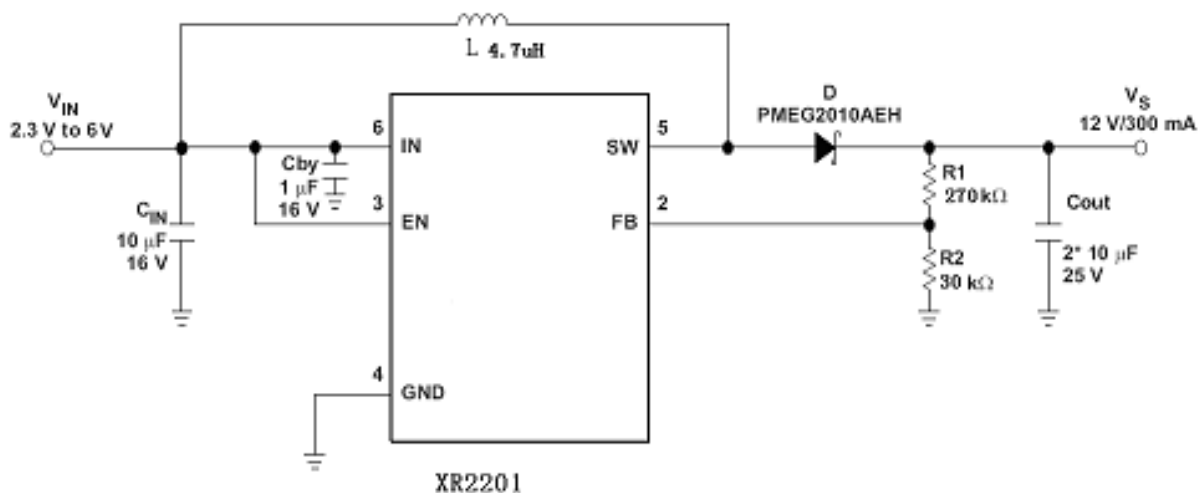
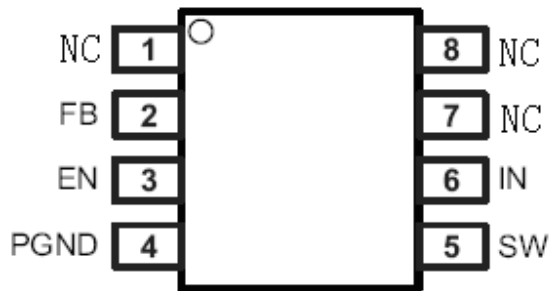


Figure 1. Typical Application Circuit

## ORDERING INFORMATION

PART NUMBER	TEMP RANGE	SWICHING FREQUENCY	OUTPUT VOLTAGE (V)	ILIM (A)	PACKAGE	PINS
XR2201	-40°C to 85°C	1.2MHZ	ADJ	2.8	MSOP	8

## PIN CONFIGURATION



8-PIN 4.9mm x 3mm x 1.1mm MSOP (DGK)

Figure 2. PIN Configuration

## PIN DESCRIPTION

PIN NUMBER	PIN NAME	PIN DESCRIPTION
1	NC	Not use
2	FB	Feedback pin
3	EN	Shutdown control input. Connect this pin to logic high level to enable the device
4	PGND	Power ground
5	SW	Switch pin
6	IN	Input supply pin
7	NC	Not use
8	NC	Not use

## ABSOLUTE MAXIMUM RATINGS

(Note: Do not exceed these limits to prevent damage to the device. Exposure to absolute maximum rating conditions for long periods may affect device reliability.)

PARAMETER	VALUE	UNIT
Supply Voltage VIN	-0.3 to 6.5	V
FB, EN Voltage	-0.3 to VIN+0.3	V
SW Voltage	Vin+0.3 to 28V	V
Operating Ambient Temperature	-40 to 85	°C



# XR2201

Maximum Junction Temperature	150	°C
Storage Temperature	-55 to 150	°C
Lead Temperature (Soldering, 10 sec)	300	°C

## ELECTRICAL CHARACTERISTICS

( $V_{IN} = 3.6V$ ,  $T_A = 25^\circ C$  unless otherwise specified)

PARAMETER	SYMBOL	TEST CONDITIONS	MIN	TYP	MAX	UNIT
Input Voltage Range	$V_{IN}$		2.3		6.0	V
Boost output voltage range	$V_{out}$			26V		
UVLO Threshold	$V_{UVLO}$	$V_{HYSTERESIS} = 100mV$		2.2		V
Operating Supply Current	$I_{SUPPLY}$	$V_{FB} = 1.3V$ , $EN = Vin$ , $I_{Load} = 0$		70		$\mu A$
Shutdown Supply Current		$V_{EN} = 0V$ , $V_{IN} = 4.2V$		0.1		
Regulated Feedback Voltage	$V_{FB}$		1.188	1.2	1.212	V
Peak Inductor Current	$I_{PEAK}$			2.8		A
Oscillator Frequency	$F_{OSC}$		0.9	1.2	1.5	MHz
Rds(ON) of N-channel FET		$I_{SW} = -100mA$		0.1		Ohm
Enable Threshold		$V_{IN} = 2.3V$ to $5.5V$	0.3	1	1.5	V
Enable Leakage Current			-0.1		0.1	$\mu A$
SW Leakage Current		$V_{EN} = 0V$ , $V_{SW} = 0V$ or $5V$ , $V_{IN} = 5V$			1	$\mu A$

## DETAILED DESCRIPTION

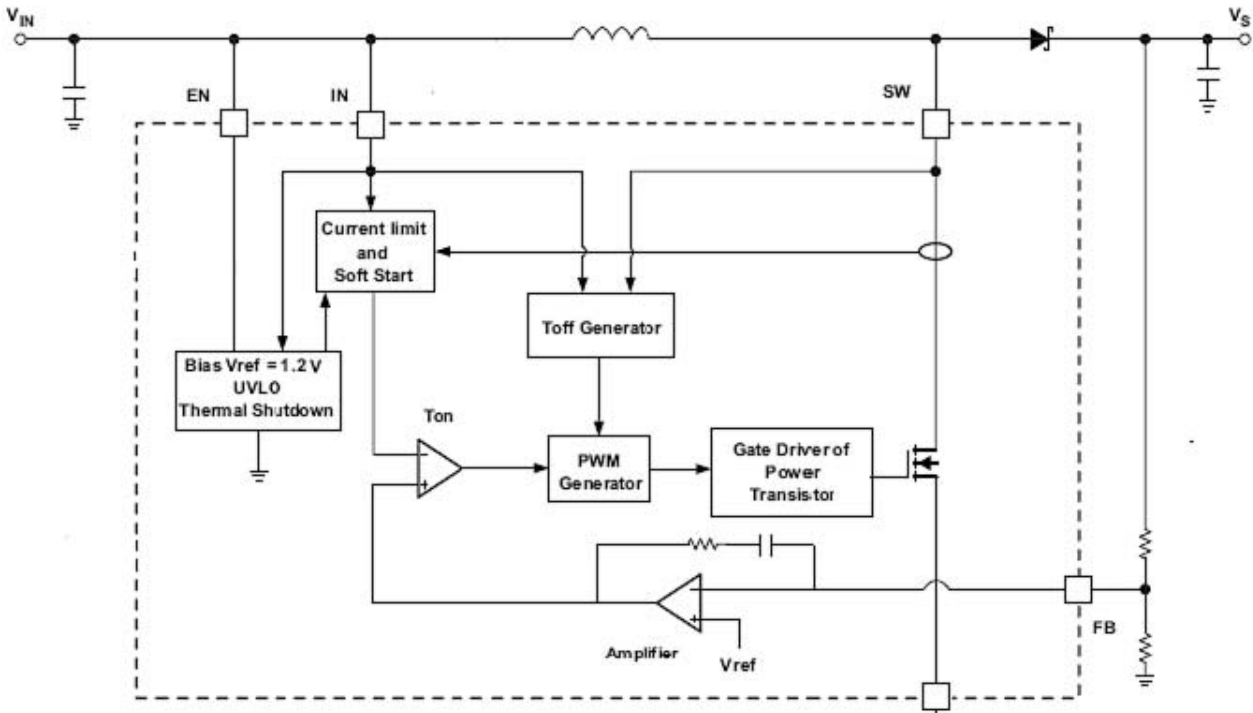


Figure 3. Functional Block Diagram

## FUNCTIONAL DESCRIPTION

### NORMAL OPERATION

The boost converter is designed for output voltage up to 26V with a switch peak current limit of 2.8 A. The device, which operates in a current mode scheme with quasi-constant frequency, is externally 1.2MHz and the minimum input voltage is 2.3 V. To control the inrush current at start-up a soft-start pin is available.

During the on-time, the voltage across the inductor causes the current in it to rise. When the current reaches a threshold value set by the internal GM amplifier, the power transistor is turned off, the energy stored into the inductor is then released and the current flows through the Schottky diode towards the output of the boost converter. The off-time is fixed for a certain  $V_{in}$  and  $V_s$ , and therefore maintains the same frequency when varying these parameters.

However, for different output loads, the frequency may slightly change due to the voltage drop across

the  $R_{dson}$  of the power transistor which will have an effect on the voltage across the inductor and thus on  $T_{on}$  ( $T_{off}$  remains fixed). Some slight frequency changes might also appear with a fixed output load due to the fact that the output voltage  $V_s$  is not sensed directly but via the SW Pin, which affects accuracy.

Because of the quasi-constant frequency behavior of the device, the XR2201 eliminates the need for an internal oscillator and slope compensation, which provides better stability for the system over a wide of input and output voltages range, and more stable and accurate current limiting operation compared to boost converters operating with a conventional PWM scheme. The XR2201 topology has also the benefits of providing very good load and line regulations, and excellent load transient response.

## UNDERVOLTAGE LOCKOUT (UVLO)

To avoid mis-operation of the device at low input voltages an undervoltage lockout is included that disables the device, if the input voltage falls below 2.2V

## THERMAL SHUTDOWN

A thermal shutdown is implemented to prevent damages due to excessive heat and power dissipation. Typically the thermal shutdown threshold is 150°C .When the thermal shutdown is triggered the device stops switching until the temperature falls below typically 136 °C .Then the device starts switching again.

## APPLICATION INFORMATION

### INDUCTOR SELECTION

In normal operation, the inductor maintains continuous current to the output. The inductor current has a ripple that is dependent on the inductance value. The high inductance reduces the ripple current.

Selected inductor by actual application:

Manufacturer	Part Number	Inductance( $\mu$ H)	DRC max (Ohms)	Dimensions L*W*H(mm3)
Murata	LQH44PN	3.3	0.065	4*4*1.7
		4.7	0.08	
		10	0.16	
		22	0.37	
	LQH5BP	3.3	0.044	5*5*2
		4.7	0.058	
		10	0.106	
		22	0.259	
Sumida	CDRH6D23	3.3	0.11	5*5*2.4
		4.7	0.16	

Table 1. Recommend Surface Mount Inductors

If output voltage is 5V or 12V, you can use 3.3uH or 4.7uH, or 10uH is OK, if 24V ,maybe need 10uH

Normal application: Input 3.3V (3.6V or 4.2V) to Output 5V 9V 12V 24V;

Input 5V to Output 9V 12V 24V

### INPUT CAPACITOR SELECTION

The input capacitor reduces input voltage ripple to the converter, low ESR ceramic capacitor is highly recommended. For most applications, a 10uF capacitor is used. The input capacitor should be placed as close as possible to VIN and GND.

---

## OUTPUT CAPACITOR SELECTION

A low ESR output capacitor is required in order to maintain low output voltage ripple. In the case of ceramic output capacitors, capacitor ESR is very small and does not contribute to the ripple, so a lower capacitance value is acceptable when ceramic capacitors are used. A 10uF or two 10uF ceramic output capacitor is suitable for most applications.

## OUTPUT VOLTAGE PROGRAMMING

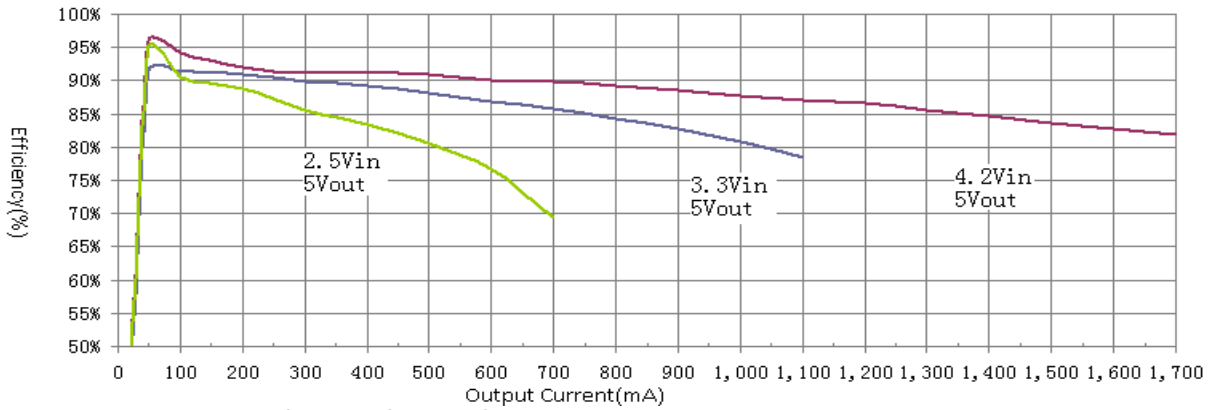
In the adjustable version, the output voltage is set by a resistive divider according to the following equation:

$$R_1 = R_2 \times \left( \frac{V_{OUT}}{1.2} - 1 \right)$$

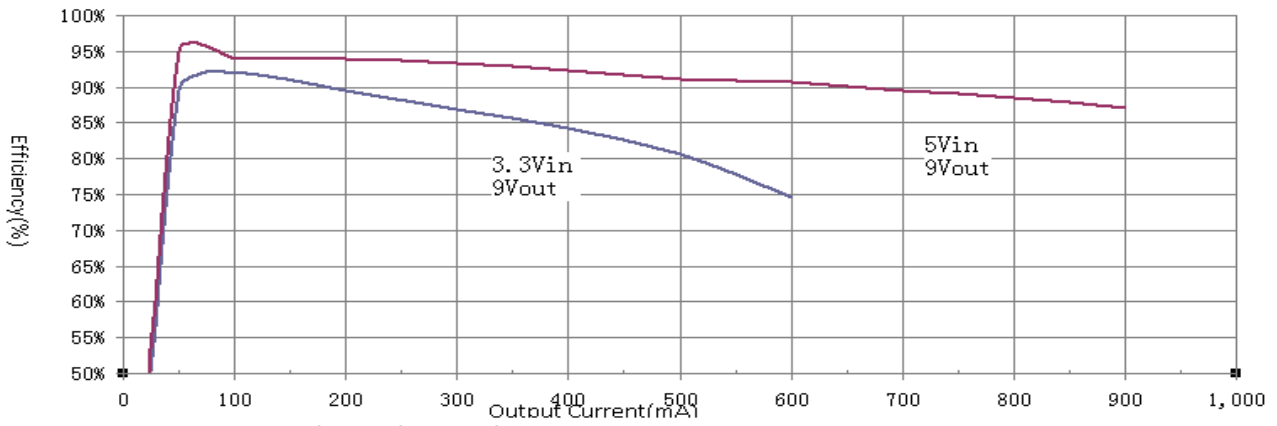
Typically choose R2=10K and determine R1 from the following equation:

## TYPICAL PERFORMANCE CHARACTERISTICS

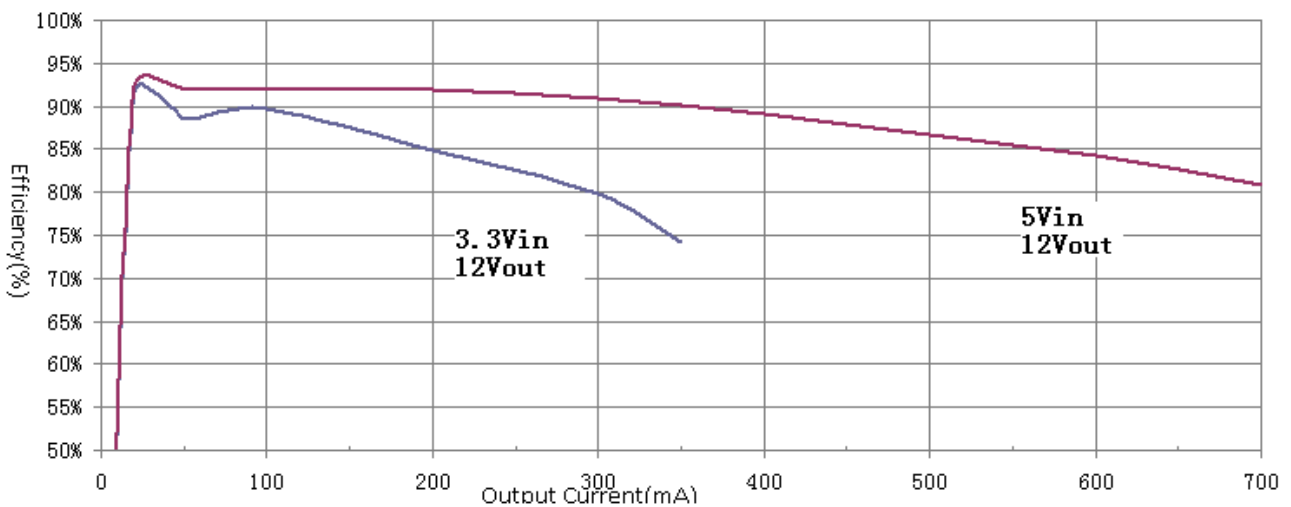
(L=4.7uH, CIN=10uF, COUT=2\*10uF,if not mentioned)



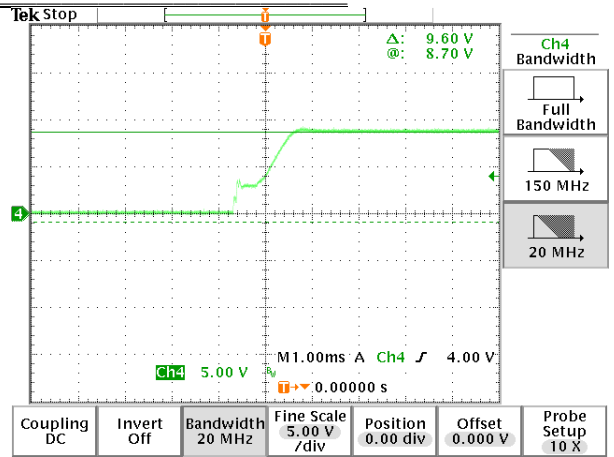
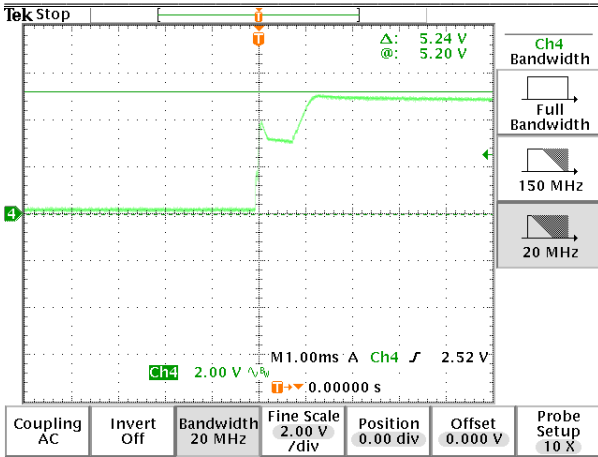
Efficiency vs. Output Current (Vout=5V)



Efficiency vs. Output Current(Vout=9V)

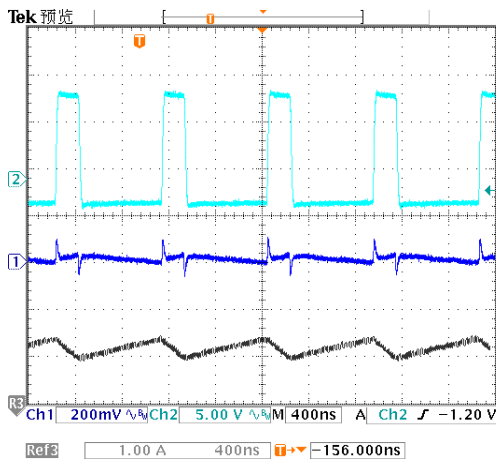


Efficiency vs. Output Current(Vout=12V)

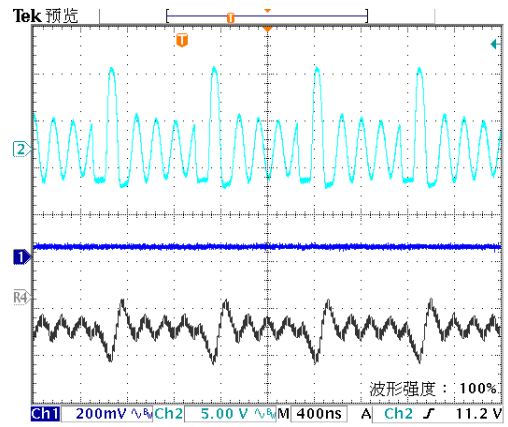


STARTUP (3.3V IN 5V 500MA OUT)

STARTUP(3.3V IN 9V 500MA OUT)



PWM SWITCHING CONTINUOUS CONDUCTION MODE

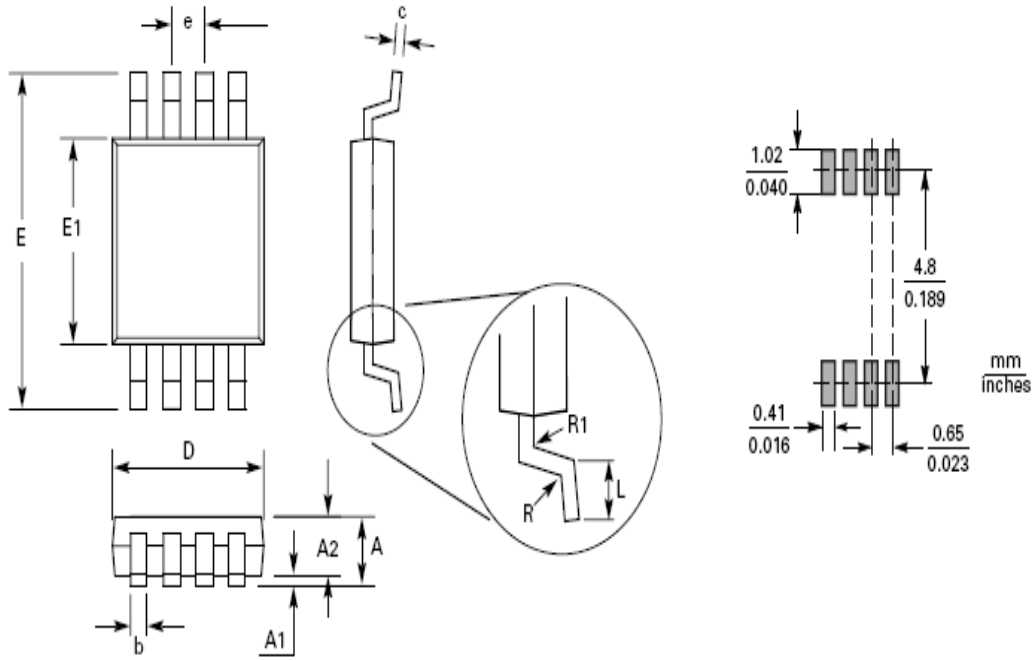


PWM SWITCHING DISCONTINUOUS CONDUCTION MODE



## PACKAGE OUTLINE

### MSOP8 PACKAGE OUTLINE AND DIMENSIONS



DIM	Millimeters		Inches	
	Min.	Max.	Min.	Max.
A	-	1.10	-	0.0433
A1	0.05	0.15	0.002	0.006
A2	0.75	0.95	0.0295	0.0374
b	0.25	0.40	0.010	0.0157
c	0.13	0.23	0.005	0.009
D	2.90	3.10	0.114	0.122
E	4.90 BSC		0.193 BSC	
E1	2.90	3.10	0.114	0.122
e	0.65 BSC		0.025 BSC	
L	0.40	0.70	0.0157	0.0192
R	0.07	-	0.0027	-
R1	0.07	-	0.0027	-